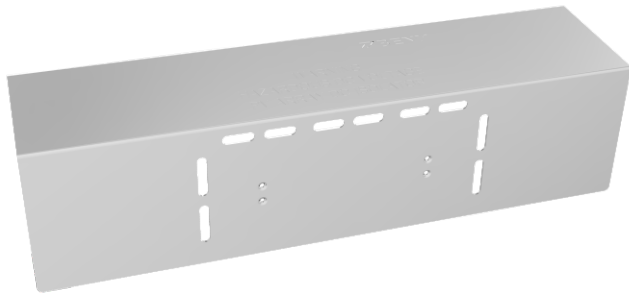


Aluminium Alloy Protection Cover

for DC Isolator Switch

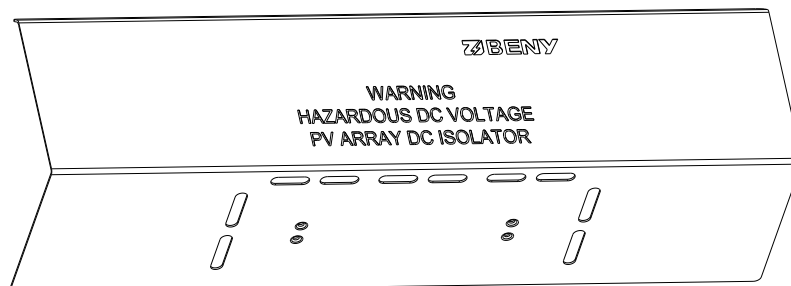
Meet the requirement of AS/NZS5033:2021

Specification

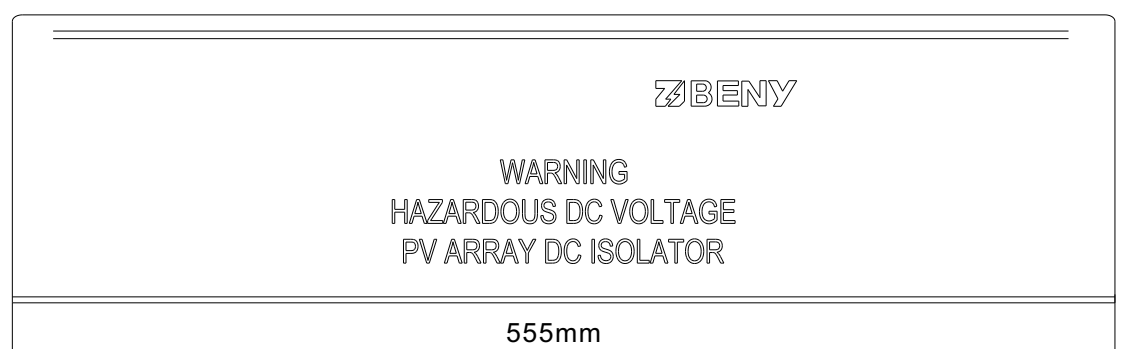
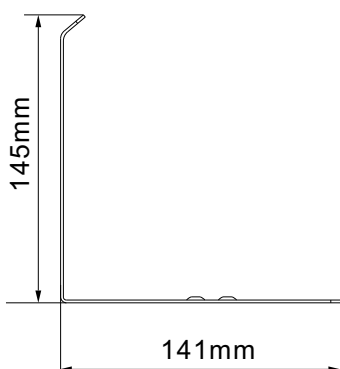


- Type: BYC-555, 145*141*555mm
- Easier to install DC Isolator Switch in complex environments
- Prevent DC Isolator Switch from high temperature sun exposure
- Give DC Isolator Switch longer working life
- Protect DC Isolator Switch from impact

Appearance



Size



Aluminium Alloy Protection Cover for DC Isolator Switch

Installation

