
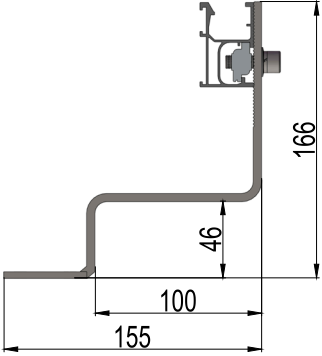

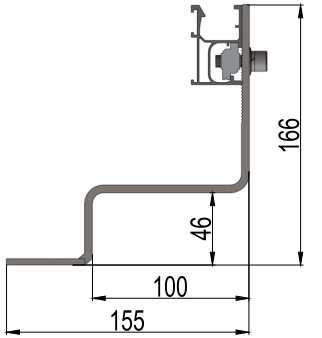

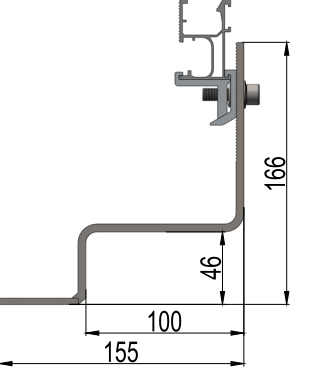
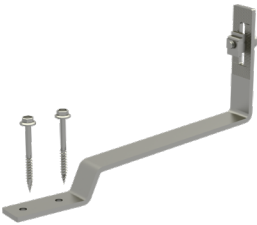
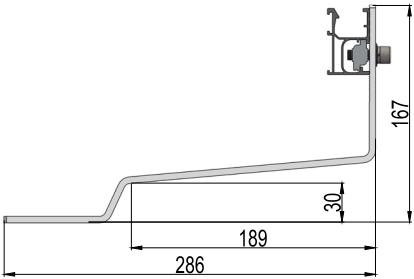
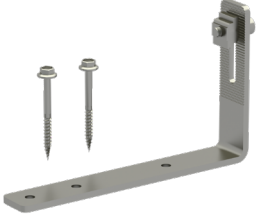
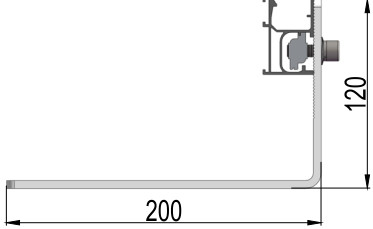

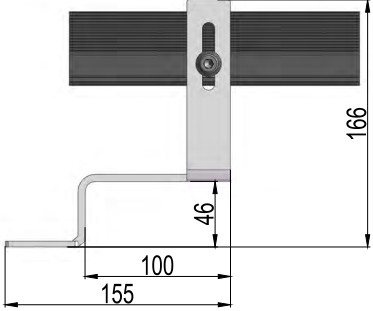

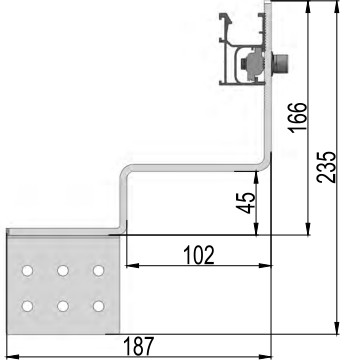

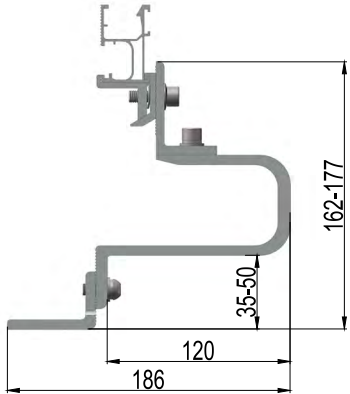

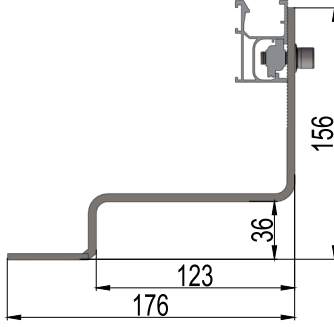

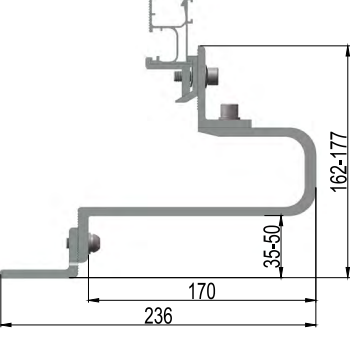

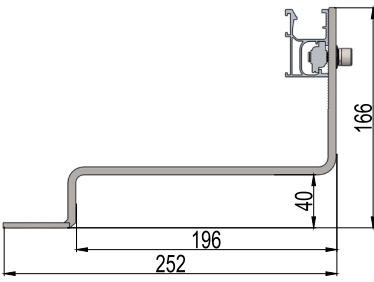


## Tile Bracket List

Tile Bracket	Image	Side View	Material	ECO-Rail Running Orientation/ Connection
ER-I-01			Stainless Steel (SUS 304)	Perpendicular to rafter/z module
ER-I-01/CS			Carbon Steel (Q345B)	Perpendicular to rafter/z module
ER-I-01/EZC/ECO			Stainless Steel (SUS 304)	Perpendicular to rafter/ezClick module
ER-I-02			Stainless Steel (SUS 304)	Perpendicular to rafter/z module

Tile Bracket	Image	Side View	Material	ECO-Rail Running Orientation/ Connection
ER-I-04			Stainless Steel (SUS 304)	Perpendicular to rafter/z module
ER-I-23			Stainless Steel (SUS 304)	Parallel to rafter/z module
ER-I-26			Stainless Steel (SUS 304)	Perpendicular to rafter/z module
ER-I-41/ EZC/ECO			AL6005-T5	Perpendicular and Parallel to rafter/ ezClick module

Tile Bracket	Image	Side View	Material	ECO-Rail Running Orientation/ Connection
ER-I-51			Stainless Steel (SUS 304)	Perpendicular to rafter/z module
ER-I-61/ EZC/ECO			AL6005-T5	Perpendicular and Parallel to rafter/ ezClick module
ER-I-71			Stainless Steel (SUS 304)	Perpendicular to rafter/z module